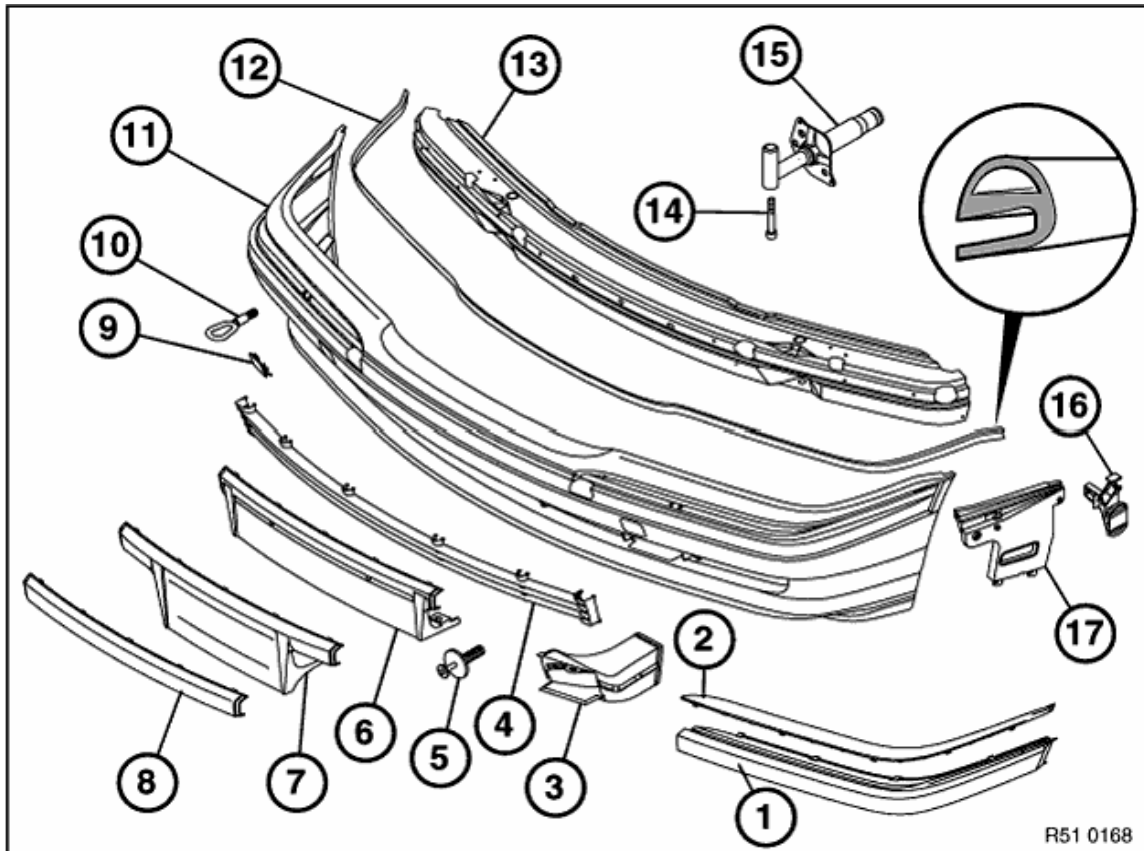


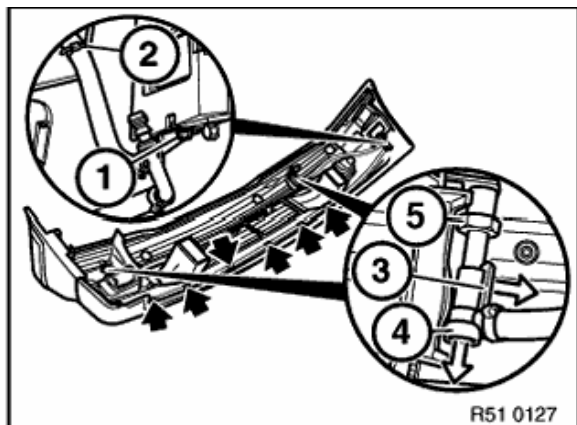
Unscrew and remove licence plate.
Remove complete front bumper,
refer to 51 11 000

Summary of bumper, bumper bracket and front retaining components

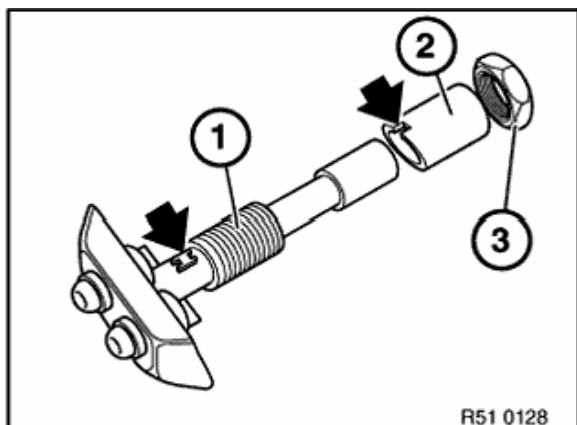


- | | | | |
|---|--|----|---------------------------|
| 1 | Body molding left/ right (L/ R) | 10 | Towing eye |
| 2 | Chrome strips L/ R | 11 | Bumper trim |
| 3 | Brake air duct L/ R | 12 | Edge protector |
| 4 | Fresh air grill | 13 | Carrier |
| 5 | Expanding rivet | 14 | Fillister head screw L/ R |
| 6 | Baseplate for licence plate | 15 | Impact absorber L/ R |
| 7 | Baseplate for licence plate (USA/ Japan) | 16 | Support L/ R |
| 8 | Body molding (USA) | 17 | Insert L/ R |
| 9 | Cover on towing eye | | |

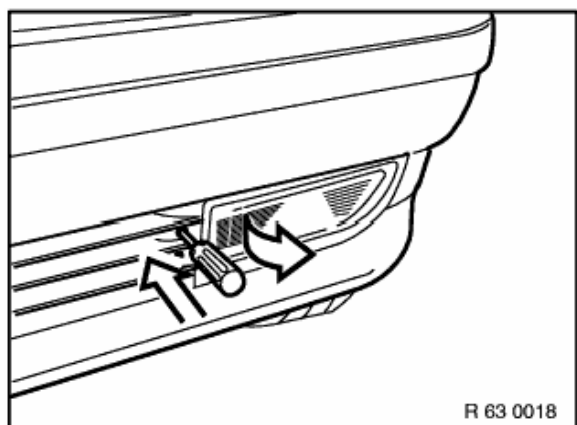
with Park Distance Control:
If necessary, remove ultrasonic converter.



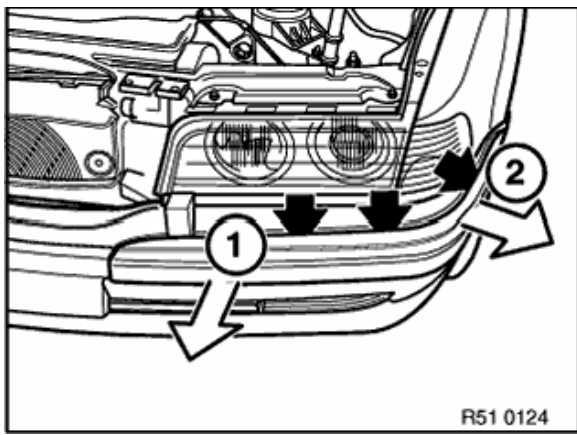
With headlight cleaning system:
Unfasten right screw (1).
Cut through left/ right cable connector (2).
Lift out detent (3) and remove hose connection (4).
Unfasten nut (5) and remove left/ right spray nozzle.
Remove water hose from clips.



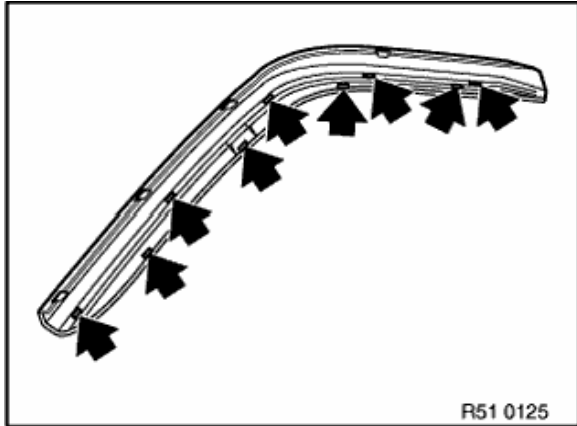
With headlight cleaning system:
Installation:
Lug in spray nozzle (1) must be aligned with recess in clamping ring (2).
Tighten with the nut (3).



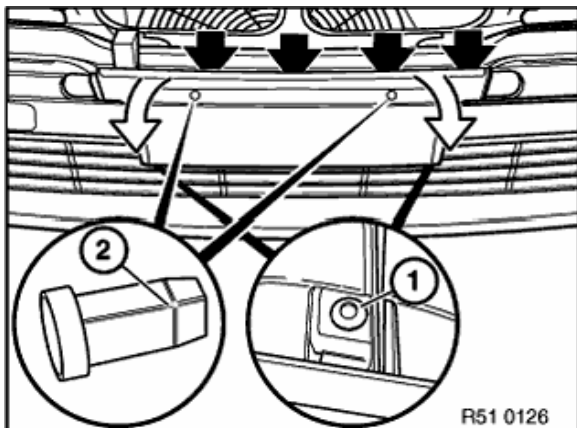
Unclip and remove foglight.
Installation:
Adjust foglights,
refer to 63 10 004



Unclip body molding with hardwood wedge and remove, first from front (1), then from side (2).

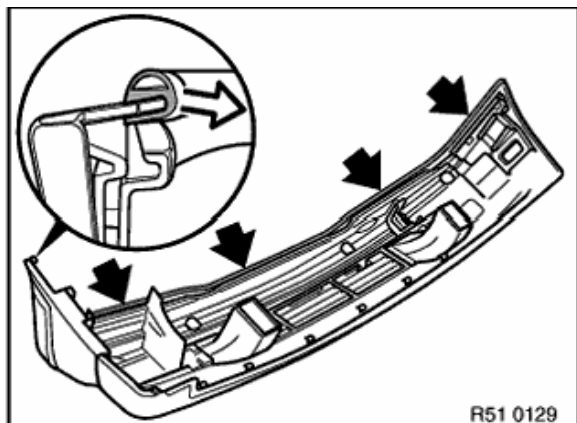


Unclip and remove chrome finisher from body molding.

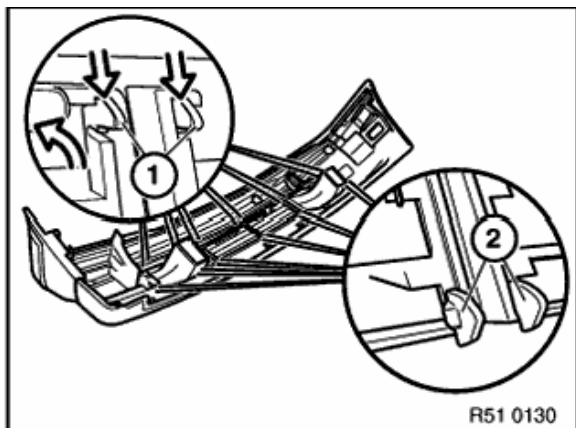


Lift out expanding rivets (1) underneath and expanding tapers (2) on top.

Unclip top of licence plate baseplate and pull forwards and downwards to remove.



Pull off edge protector.



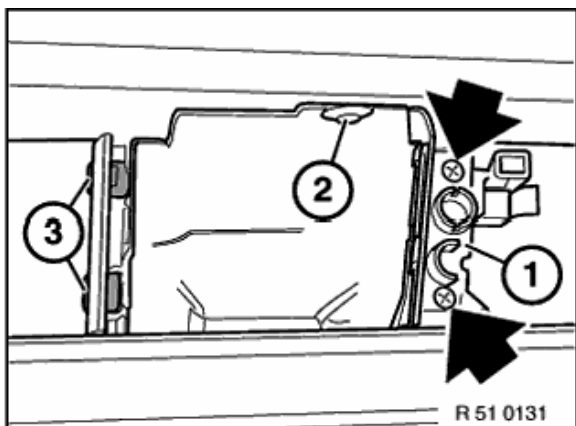
Unfasten top fasteners (1) and lift fresh air grill upwards and forwards to remove.

Note:

Also detach the fasteners mounted directly on the brake air ducts.

Installation:

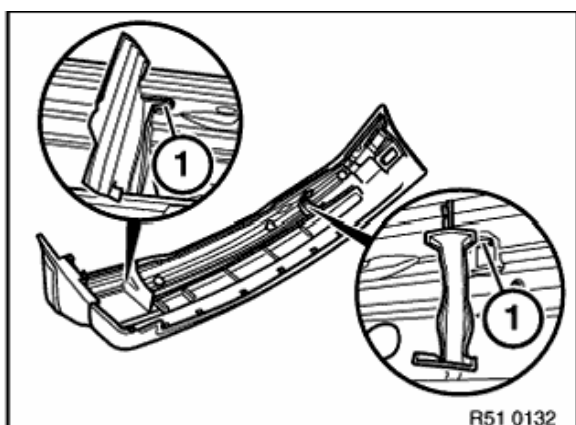
Install at bottom (2) then clip in at top (1).



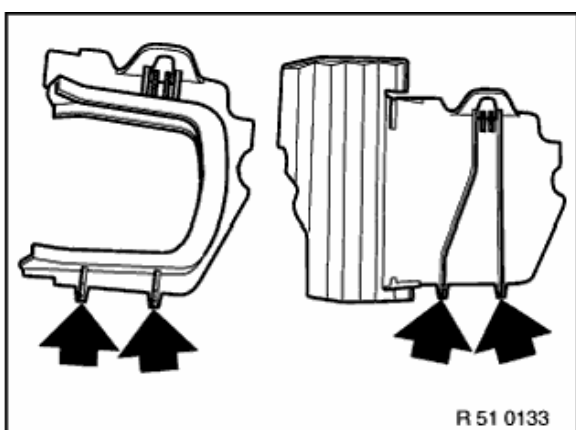
Unfasten screws and remove foglight bracket (1) at left/ right. Unfasten expanding rivet (2) and lift brake air ducts inwards to remove.

Installation:

Insert lugs (3) on brake air ducts correctly in the recesses.

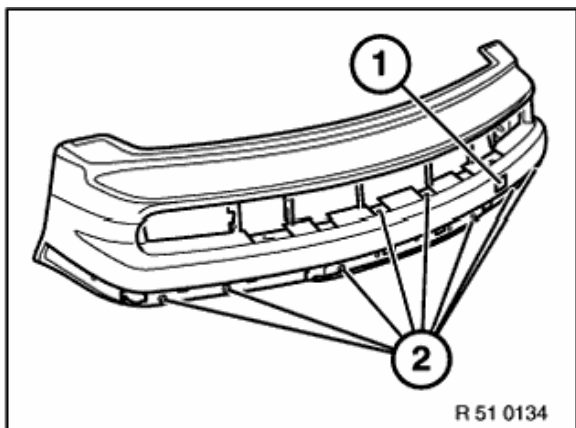


Lift out expanding rivets (1) and remove plastic cover on bumper carrier.



Installation:

The plastic lugs must not be damaged. Replace if necessary.



R 51 0134

Lift cover (1) off towing eye and unfasten catch band.

Lift out expanding rivets (2) and lift bumper carrier backwards to remove.